


DIN rail perforated - NS 35/ 7,5 ZN PERF 2000MM - 1206421

Please be informed that the data shown in this PDF Document is generated from our Online Catalog. Please find the complete data in the user's documentation. Our General Terms of Use for Downloads are valid (<http://phoenixcontact.com/download>)



DIN rail perforated, Standard profile, width: 35 mm, height: 7.5 mm, acc. to EN 60715, material: Steel, galvanized, length: 2000 mm, color: silver

Key Commercial Data

Packing unit	2 M
Minimum order quantity	5 M
GTIN	 4 017918 170868
GTIN	4017918170868
Weight per Piece (excluding packing)	335.000 g
Custom tariff number	72166190
Country of origin	Germany

Technical data

Dimensions

Height	7.5 mm
Length	2000 mm
Width	35 mm
Hole width	15 mm
Hole height	6.2 mm
Drill hole spacing	25 mm

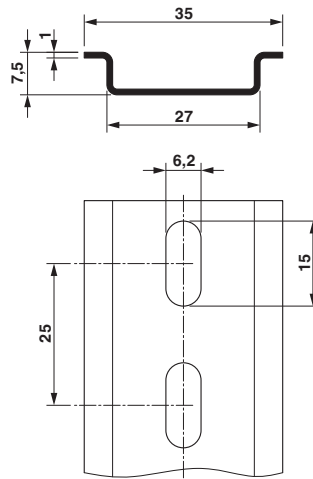
Standards and Regulations

Test standard	acc. to EN 60715
Connection in acc. with standard	IEC / EN

DIN rail perforated - NS 35/ 7,5 ZN PERF 2000MM - 1206421

Drawings

Dimensional drawing



Classifications

eCl@ss

eCl@ss 10.0.1	27400602
eCl@ss 11.0	27400602
eCl@ss 4.0	27110800
eCl@ss 4.1	27110800
eCl@ss 5.0	27141100
eCl@ss 5.1	27141100
eCl@ss 6.0	27400600
eCl@ss 7.0	27400602
eCl@ss 9.0	27400602

ETIM

ETIM 2.0	EC001285
ETIM 3.0	EC001285
ETIM 4.0	EC000212
ETIM 6.0	EC001285
ETIM 7.0	EC001285

UNSPSC

UNSPSC 6.01	30212109
UNSPSC 7.0901	39121708
UNSPSC 11	39121708

DIN rail perforated - NS 35/ 7,5 ZN PERF 2000MM - 1206421

Classifications

UNSPSC

UNSPSC 12.01	39121708
UNSPSC 13.2	39121708
UNSPSC 18.0	39121708
UNSPSC 19.0	39121708
UNSPSC 20.0	39121708
UNSPSC 21.0	39121708